
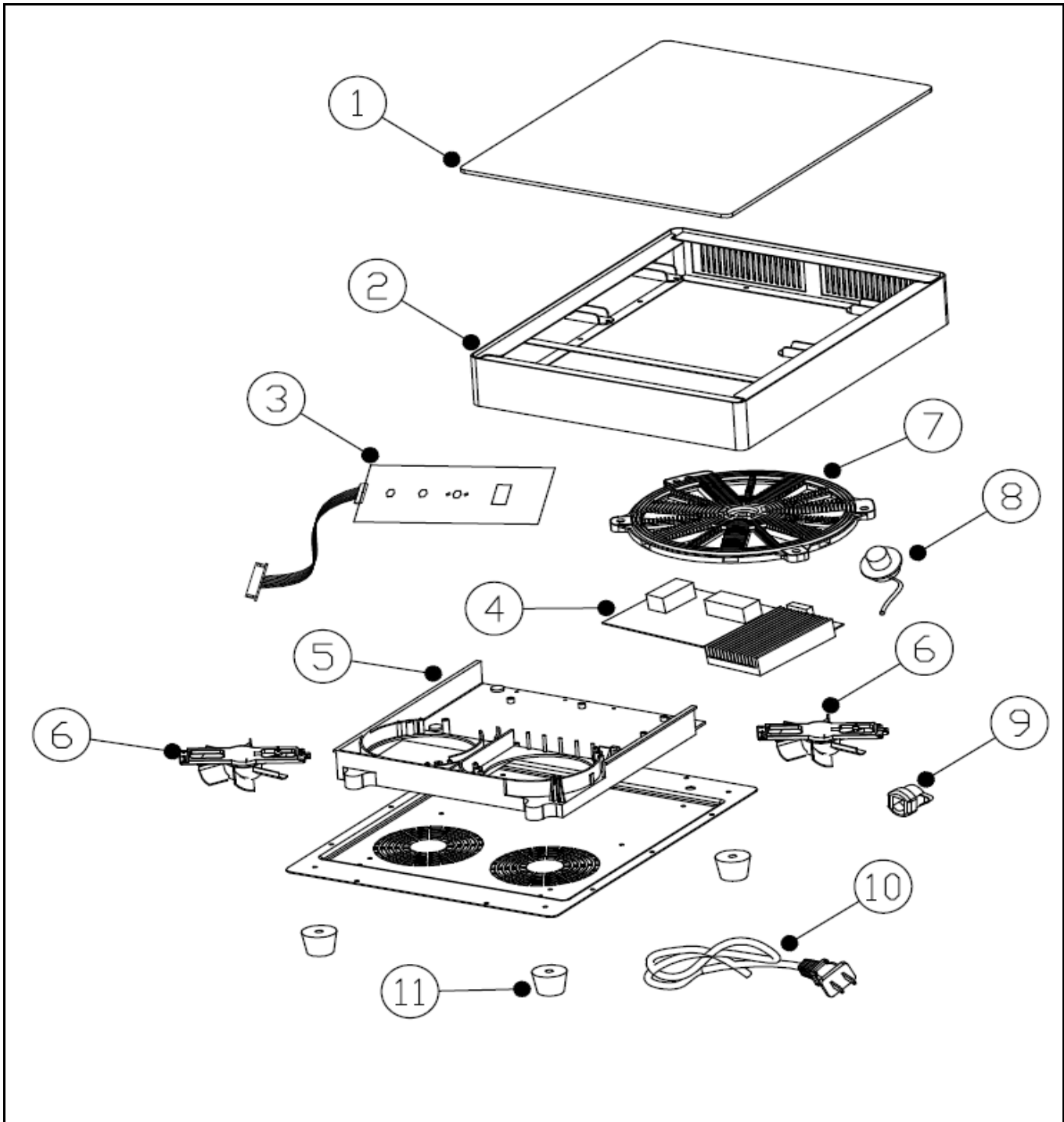



Drawing

 <p><b>Hendi B.V.</b> Steenoven 21 3911 TX Rhenen The Netherlands</p>	Batch #	Appliance part#
	170225 and up	239292
	Description	
	Induction Cooker Display Line 3500W	

Date	28-03-2018	Revision #	1.0
Revision	First Bill of Materials (BOM)		



**Bill of materials (BOM)**

 <b>HENDI</b> FOOD SERVICE EQUIPMENT  <b>Hendi B.V.</b> Steenoven 21 3911 TX Rhenen The Netherlands	<b>Batch #</b>	<b>Appliance part#</b>
	=Drawing!C3	<b>239292</b>
	<b>Description</b>	
	Induction Cooker Display Line 3500W	


<b>Date</b>	28-03-2018	<b>Revision #</b>	1.0
<b>Revision</b>	First Bill of Materials (BOM)		

Item	Description	Part#	Quantity	Remark	Picture
1	Glass Plate	nss	1	Available as 944271	
2	Upper Housing	nss	1	Available as 944721	
1 + 2	Upper Housing incl. Glass	944271	1		
3	Control PCB	944264	1		
4	Main PCB	944257	1		
5	PCB Bracket	n/a	1		
6	Fan	919446	2		
7	Main Coil	944288	1		
8	Sensor	944295	1		
9	Powercord Retention	n/a	1		
10	Powercord	912027	1		
11	Feet	944301	4		
90					

n/a -> not available

nss -> not sold separately

## Wiring diagram

 <p><b>Hendi B.V.</b>                  Steenoven 21                  3911 TX Rhenen                  The Netherlands</p>	<b>Batch #</b>	<b>Appliance part#</b>
	170225 and up	<b>239292</b>
	<b>Description</b>	
	Induction Cooker Display Line 3500W	

<b>Date</b>	28-03-2018	<b>Revision #</b>	1.0
<b>Revision</b>	First Bill of Materials (BOM)		

